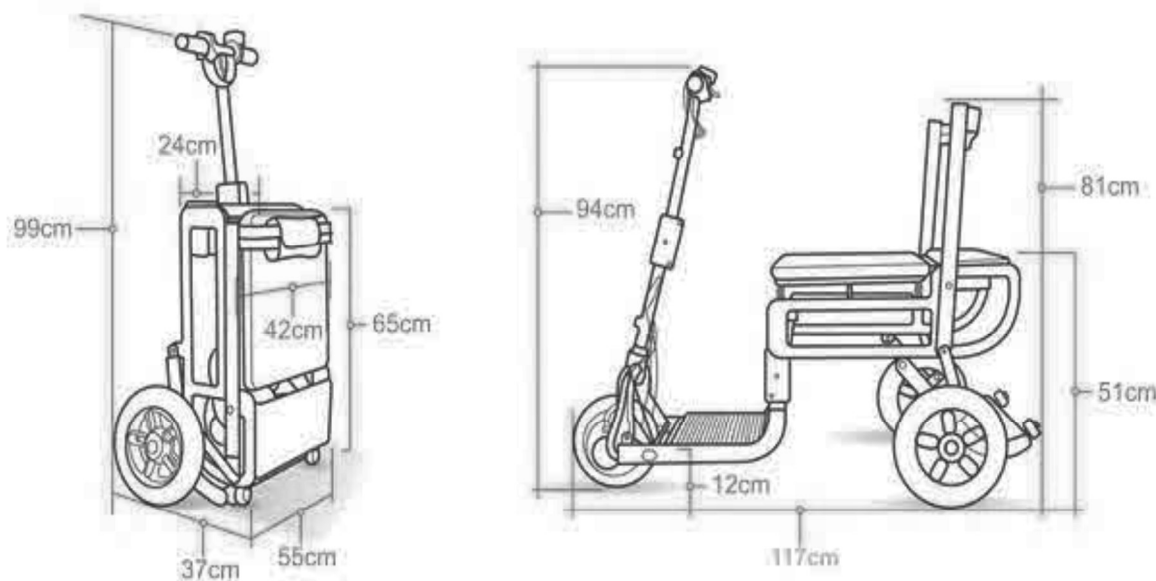


Technical specifications



■ DIMENSIONS

Folded dimensions (L/W/H): 65x55x37cm (26x22x15')

Unfolded dimensions (L/W/H): 117x55x94cm (46x22x35')

Packaging dimensions (L/W/H): 59x44x77cm (23x17x30')

Seat height: 51cm/20'

Footrest height: 12cm/4.7'

Front wheel size: 20cm/8'

Rear wheel size: 25cm/10'

Ground clearance: 7cm/2.7'

■ WEIGHT

Weight with battery: 17kg/(38lbs)

Weight without battery: 15kg/(33lbs)

■ PERFORMANCE

Speed: 4mph/6kmh

Maximum range capacity: 10miles/16km

Maximum carry capacity: 120kg/265lbs/19st

Maximum Incline: 1:10 Gradient (6 degrees)

■ COMPONENTS CAPABILITY

Motor: 180W 24V Hub Motor

Battery standard: 10ah Li-Ion

Brake: Electric magnetic

Main switch: Push button

Lights: No light

Number of wheels: 3

Turning radius: 100cm/39'

Quick release wheel: Yes

■ ENVIRONMENT

Place to use: Pavement and indoor